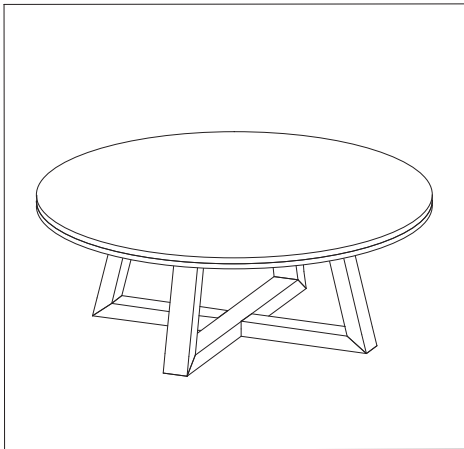



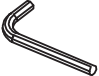




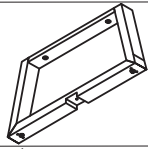
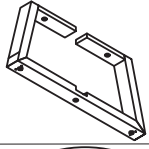

ASSEMBLY INSTRUCTION #3190-C



HARDWARE LIST

1			
2			
3		Flat Washer	5 Pcs
4		Allen Key	1 Pcs

PART LIST

NO	DESCRIPTION	SKETCH	QTY
A	Legs A		1 Pcs
B	Legs B		1 Pcs
C	TOP		1 Pcs

